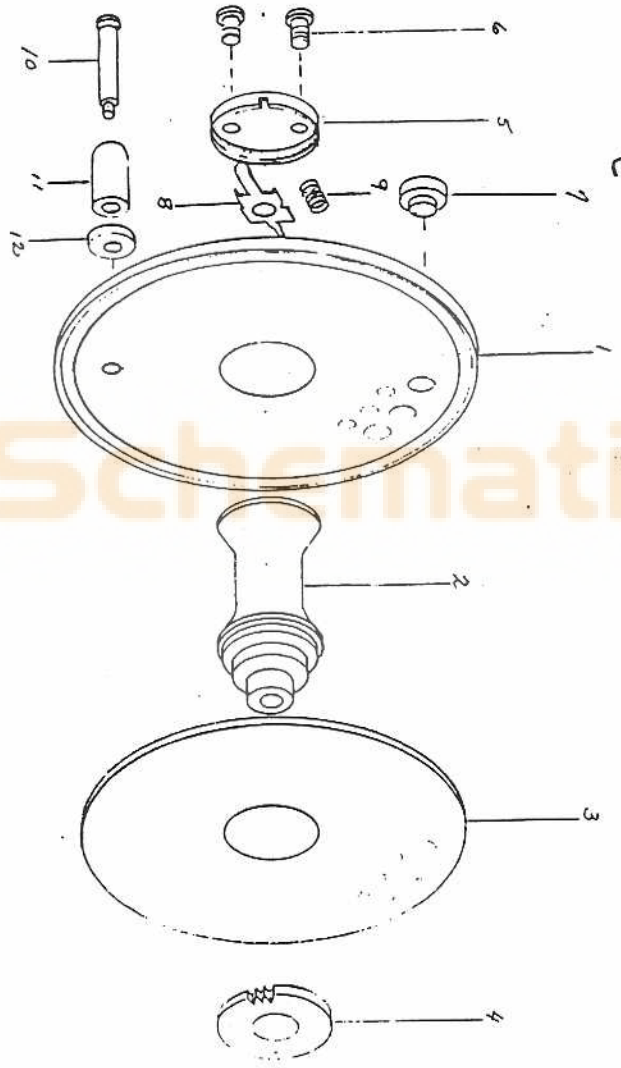


(MG 755 A)



NUMBER OF PART	QUANTITY
1 873 SPOOL SIDE	1
2 621 HUB	1
3 219 A SPOOL SIDE	1
4 743 PITCHET GEAR	1
5 251 HUB CAP	1
6 203 SCREW	2
7 870 COUNTER WEIGHT	1
8 252 SPOOL LOCK	1
9 253-S SPRING	1
10 230 ROLLER PIN	1
11 163 CRANK KNOB	1
12 162 CRANK KNOB SOCKET	1
13	
14	